

Optical

Operating range	0 ... 4 m
Protection height	1'822 mm / 1'582 mm
No. of optical elements	16 / 32
No. of beams:	
at 16 elements	74
at 32 elements	154
Wavelength IR	925 nm
Max. ambient light	100,000 Lux

Mechanical

Dimensions (w × h × l)	12 × 16 × max. 2,000 mm
Housing material	Natural or black anodized aluminum
Enclosure rating	IP65
Temperature range	-40 °C ... +60 °C

Electrical

Supply voltage U_{Sp}	10 ... 30 VDC
Max. ripple at U_{Sp}	10 %
Typ. current consumption at 24 VDC (without load)	40 mA
Max. inrush current per edge	< 2 A
Output	PNP/NPN (push-pull)
Output logic	NO/NC selectable
Max. output load	120 mA, 100 nF
Typ. response time:	
at 16 elements	70 ms
at 32 elements	120 ms

General

EMC emission	EN 12015:2004
EMC immunity	EN 12016:2004
Vibration	IEC 60068-2-6:2008
Shock	IEC 60068-2-27:2009
Cable durability	IEC 60227-2:2003
RoHS	2011/65/EU
Certificates	CE, CSA

Connection cable and electrical connection

Emitter	
Cable length	5 m
Diameter	Ø 3.5 mm
Material	PVC, black
Connection	M8, 4-pin
Plug color	White
Wires	AWG26
• brown	U_{Sp}
• blue	GND (0 V)
• black	Not used
• white	Protection field height selector
Receiver	
Cable length	5 m
Diameter	Ø 3.5 mm
Material	PVC, black
Connection	M8, 4-pin
Plug color	Blue
Wires	AWG26
• brown	U_{Sp}
• blue	GND (0 V)
• black	Output
• white	Output logic selector



CEDES AG is certified according to ISO 9001: 2008

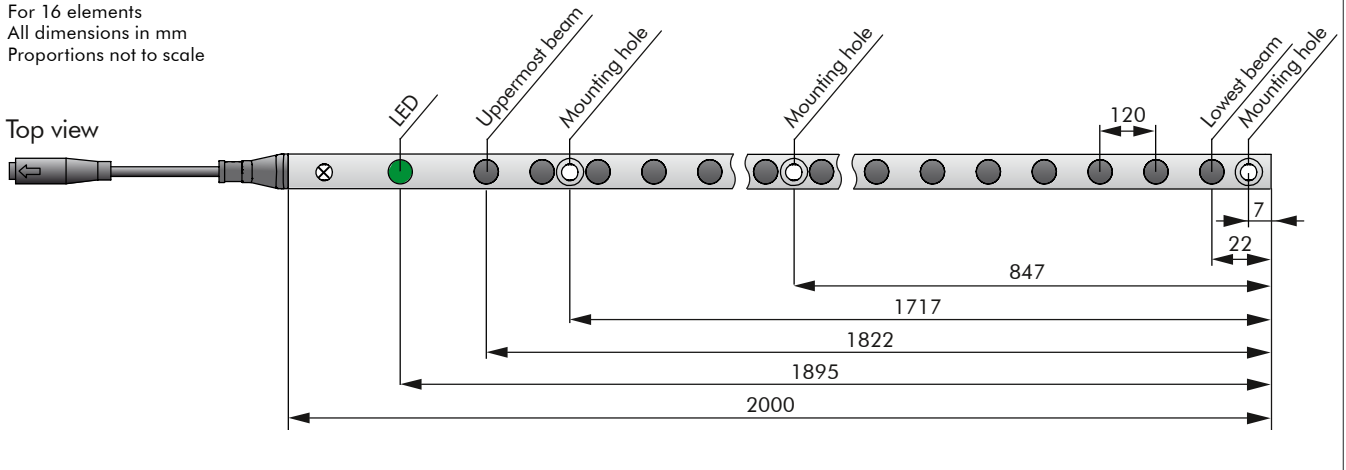
Features

- Low power consumption
- Very robust and reliable thanks to proven technology
- Ideal for both static and dynamic applications
- Integrated controller with LED indicator
- Short-circuit proof semiconductor output PNP/NPN (push-pull)
- No earth necessary
- Selectable protection field of 1,822 mm or 1,582 mm
- Flexible cable – designed for 20 million door movements
- Waterproof IP67 version available on request
- Front and side mounting possible, mounting holes compatible with CEDES MiniMax and cegard/Max



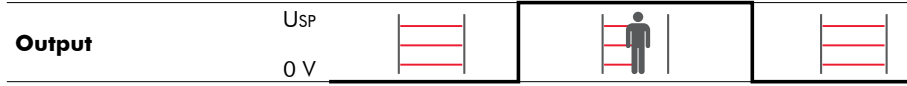
Dimensions

For 16 elements
All dimensions in mm
Proportions not to scale

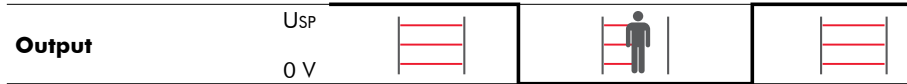


Selectable output logic

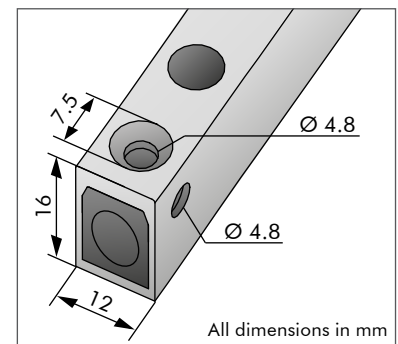
NO/NC selector connected to GND (0 V)



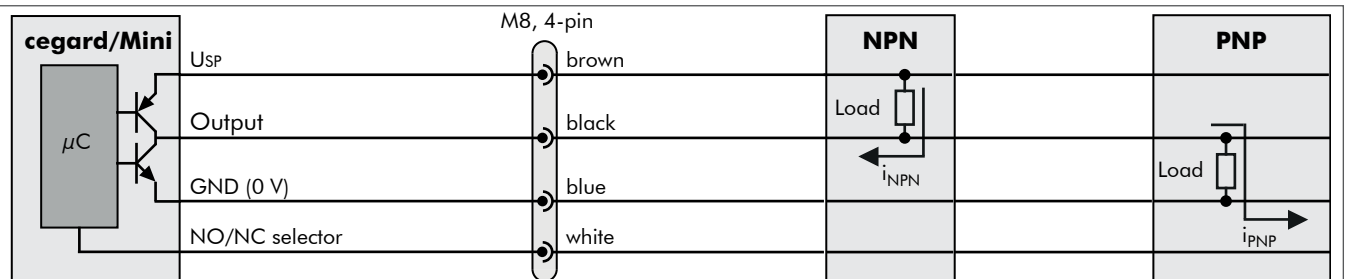
NO/NC selector connected to Usp or not connected



Detailed view



PNP / NPN output



Electrical connections are compatible with the CEDES MiniMax series

Application examples

