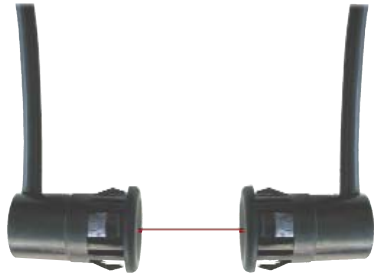


Cost effective surveillance in automatic doors ...



ELS 263

Through beam light sensor



Description

The through beam light sensor **ELS 263** is a compact and very cost effective sensor for monitoring of automatic doors, elevators and escalators.

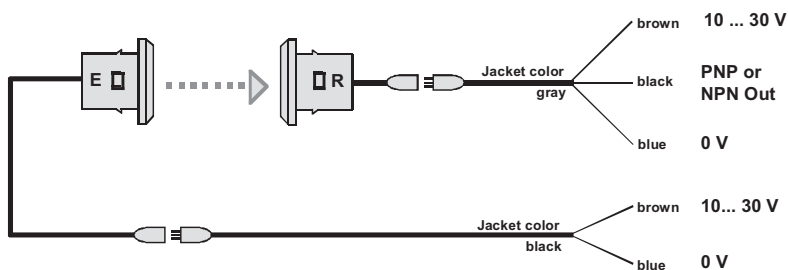
ELS 263 through beam sensors have a very compact design and are easily built into door frames, elevator doors or indeed anywhere where space is limited. Dual light curtain systems are often installed to ensure the safety of automatic doors.

Through the utilization of the latest technology, the **ELS 263** through beam sensor operates reliably and free of malfunctions. The function of the light curtain itself is not influenced even by the maximum amount of sunlight (about 100,000 Lux). All the electronics (incl. the micro controller) and the shrouded transistor output are integrated in this small housing and therefore require no evaluation unit.

General Data

Temperature range	
- Storage	-20 °C ... 70 °C
- Operation	-20 °C ... 60 °C
Cable	
- Emitter	2 x 0.14 mm ²
- Receiver	3 x 0.14 mm ²
Jacket color	
- Emitter	black
- Receiver	gray
Cable length	5 m (cable or plug)
Polarity protection	yes
Enclosure rating	IP67
EMC emission	EN 50081-1/2
EMC immunity	EN 50082-1 IEC 61000-6-2
RoHS Certificate	Fulfills 2002/95/EC CE

Principle ELS 263



Optical Data

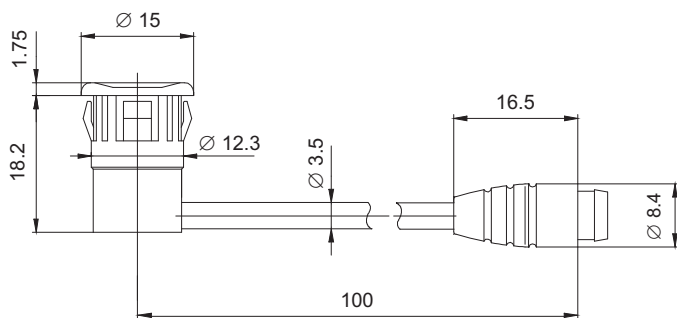
Operating range	0.5 ... 6 m
Aperture angle	
- Emitter	±5° at 3 m
- Receiver	±20° at 3 m
Max. ambient light	> 100,000 Lux

Electrical Data

Supply voltage	10 ... 30 VDC
Current consumption	
- Emitter	< 12 mA at 20 V
- Receiver	< 10 mA at 20 V
Rise time t ₁	
- Receiver	ca. 20 ms
Fall time t ₂	
- Receiver	ca. 20 ms
Output	NPN / PNP
Max. output current	200 mA short circuit proof
Saturation voltage at output	
	max. 2.5 V

Drawings

Emitter and receiver have identical housings (all dimensions are in mm).

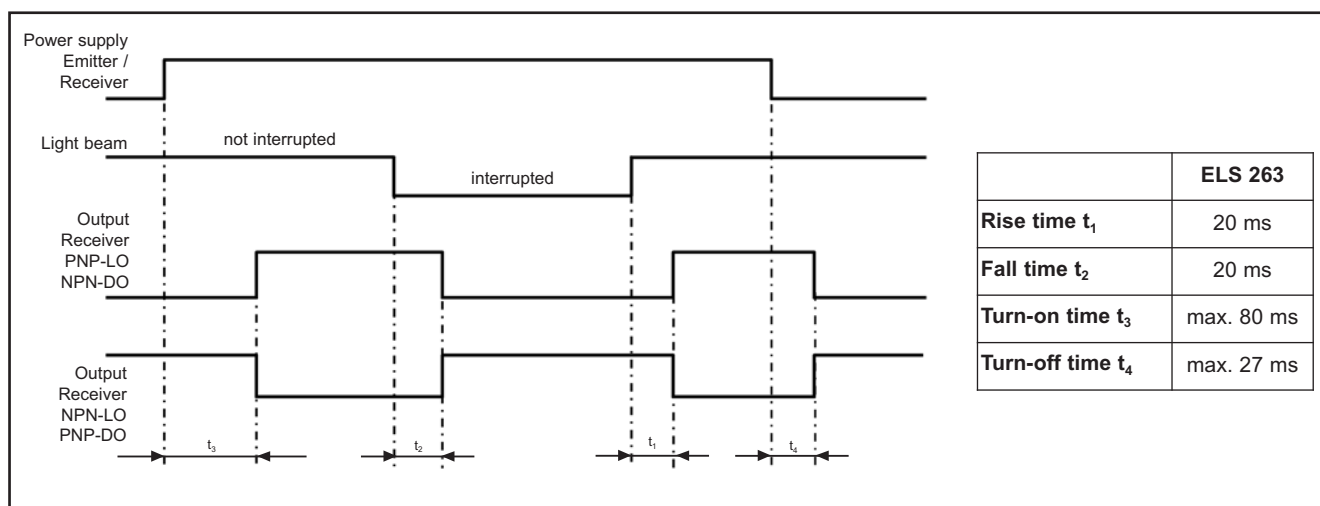


Mounting conditions

Plate thickness [mm]	Mounting hole [mm]		
	Ø 12.5	Ø 13	Ø 13.5
1.25	☑	☑	☒
1.50	☑	☑	☒
2.00	☑	☑	☑
2.50	☒	☑	☑

☑ = good ☒ = insufficient

Operation chart



LO = Light On: Light beam not interrupted → LED on, DO = Dark On: Light beam interrupted → LED on

Order information

Part No.	Type	Description
103 311	ELS 263	Emitter, operating range 6 m, 5 m cable
104 430	ELS 263	Emitter, operating range 2 m, 5 m cable
105 157	ELS 263	Emitter, operating range 2 m, 10 m cable
103 305	ELS 263-NPN-LO	Receiver, NPN-LO (light-on), 5 m cable
103 308	ELS 263-PNP-LO	Receiver, PNP-LO (light-on), 5 m cable
103 785	ELS 263-NPN-DO	Receiver, NPN-DO (dark-on), 5 m cable
103 786	ELS 263-PNP-DO	Receiver, PNP-DO (dark-on), 5 m cable
105 156	ELS 263-PNP-DO	Receiver, PNP-DO (dark-on), 10 m cable
104 186	ELS 263	Emitter, operating range 2 m, M8 plug
104 569	ELS 263	Emitter, operating range 6 m, M8 plug
104 570	ELS 263-NPN-LO	Receiver, NPN-LO (light-on), M8 plug
104 684	ELS 263-PNP-LO	Receiver, PNP-LO (light-on), M8 plug
104 187	ELS 263-PNP-DO	Receiver, PNP-DO (dark-on), M8 plug
103 716	ELS 263	Receiver cable 5 m with M8 plug
104 688	ELS 263	Receiver cable 10 m with M8 plug
104 567	ELS 263	Receiver cable 20 m with M8 plug

Special or custom designs on request

120220 Part No. 001 055 en

CEDES reserves the right to modify or change technical data without notice.