

MiniMax-79/159

Technical data

Optical

Operating range	0 ... 3 m
Protection height	1,800 mm
Number of optical elements	17 / 33
No. of beams:	
at 17 elements	79
at 33 elements	159
Wavelength IR	940 nm
Max. ambient light	75,000 Lux

Mechanical

Dimensions (w × h × l)	12 × 16 × max. 2,100 mm
Housing material	Polycarbonate
Enclosure rating	IP65
Temperature range	-20 °C ... +60 °C

Electrical

Supply voltage U _{sp}	10 ... 30 VDC
Max. current consumption at 24 VDC without load	100 mA
Max. inrush current per edge	2 A
Output	PNP/NPN (push-pull)
Output logic	NO/NC selectable
Max. output load	120 mA, 100 nF
Typ. response time:	
at 17 elements	60 ms
at 33 elements	75 ms

General

EMC emission	EN 12015:2004
EMC immunity	EN 12016:2004
Vibration	EN 60068-2-6:2008
Shock	IEC 60068-2-27:2009
Cable durability	IEC 60227-2:2003
RoHS	2011/65/EU
Certificates	CE, CSA

Connection cable and electrical connection

Emitter	
Cable length	5 m
Diameter	Ø 3.5 mm
Material	PVC, black
Connection	M8, 4-pin
Plug color	White
Wires	AWG26
• brown	U _{sp} (10 ... 30 VDC)
• blue	GND (0 V)
• black	Not used
• white	Not used
Receiver	
Cable length	5 m
Diameter	Ø 3.5 mm
Material	PVC, black
Connection	M8, 4-pin
Plug color	Blue
Wires	AWG26
• brown	U _{sp} (10 ... 30 VDC)
• blue	GND (0 V)
• black	Output
• white	Output logic selection



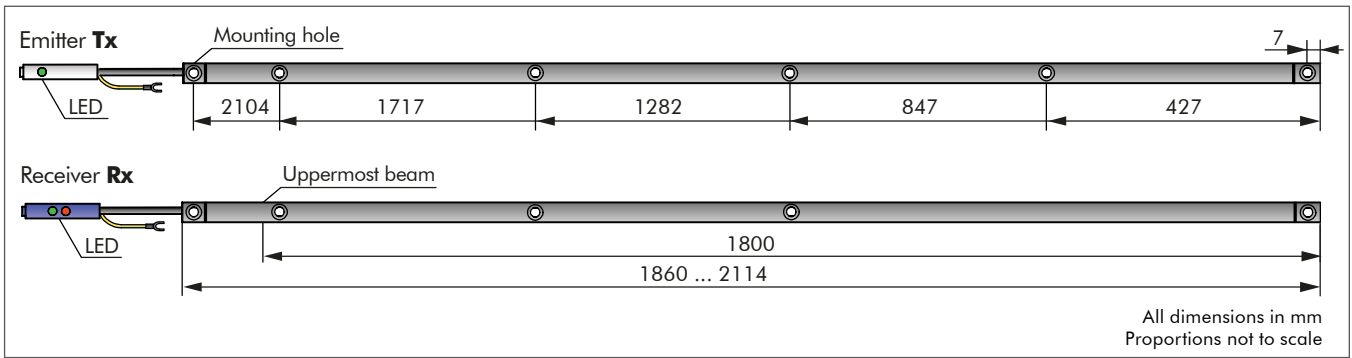
CEDES AG is certified according to ISO 9001: 2008

Features

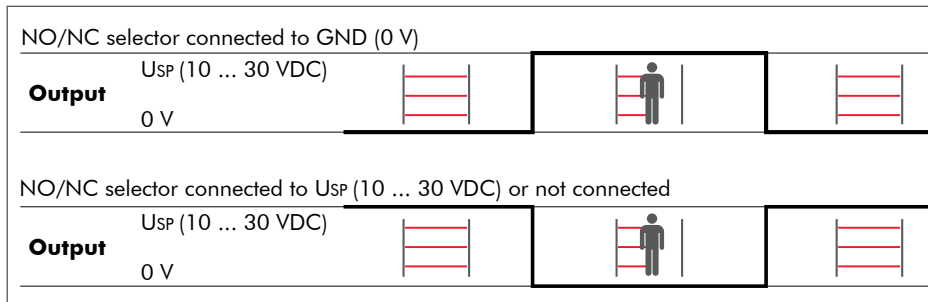
- Perfect for dynamic applications
- Criss-cross light beams remain fully active until door closure
- Integrated controller
- Dense protection field using 79 or 159 light beams
- Short-circuit proof semiconductor output PNP/NPN (push-pull)
- Extended life-time for infrared LED through intelligent self-calibration
- High quality gold-plated contacts
- Flexible cable – designed for 20 million door movements
- Robust and compact design
- Front and side mounting possible, mounting holes compatible with CEDES cegard/Mini and cegard/Max



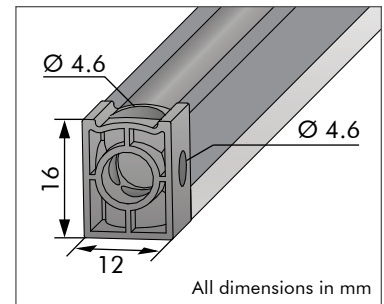
Dimensions



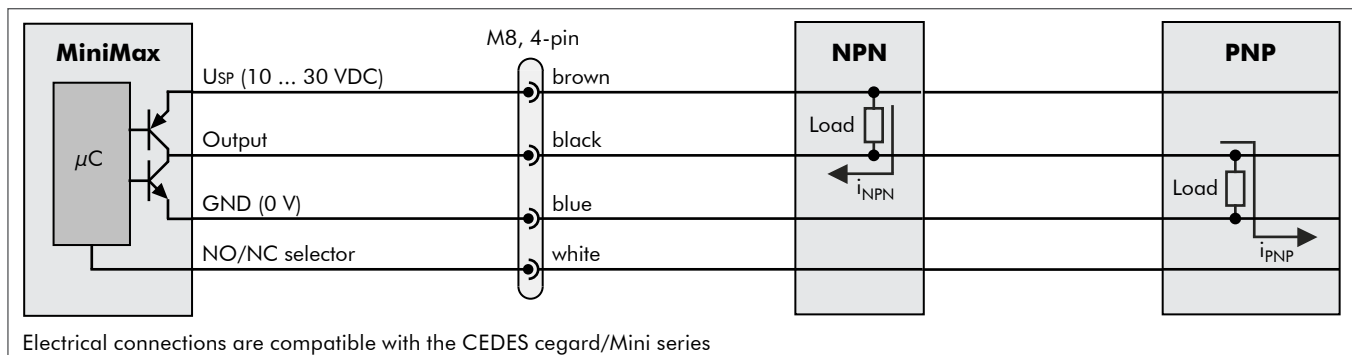
Selectable output logic



Detailed view



PNP / NPN output receiver



Application examples

